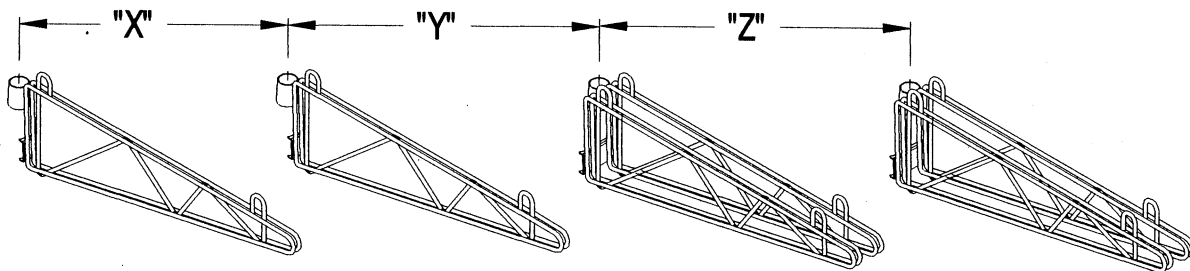
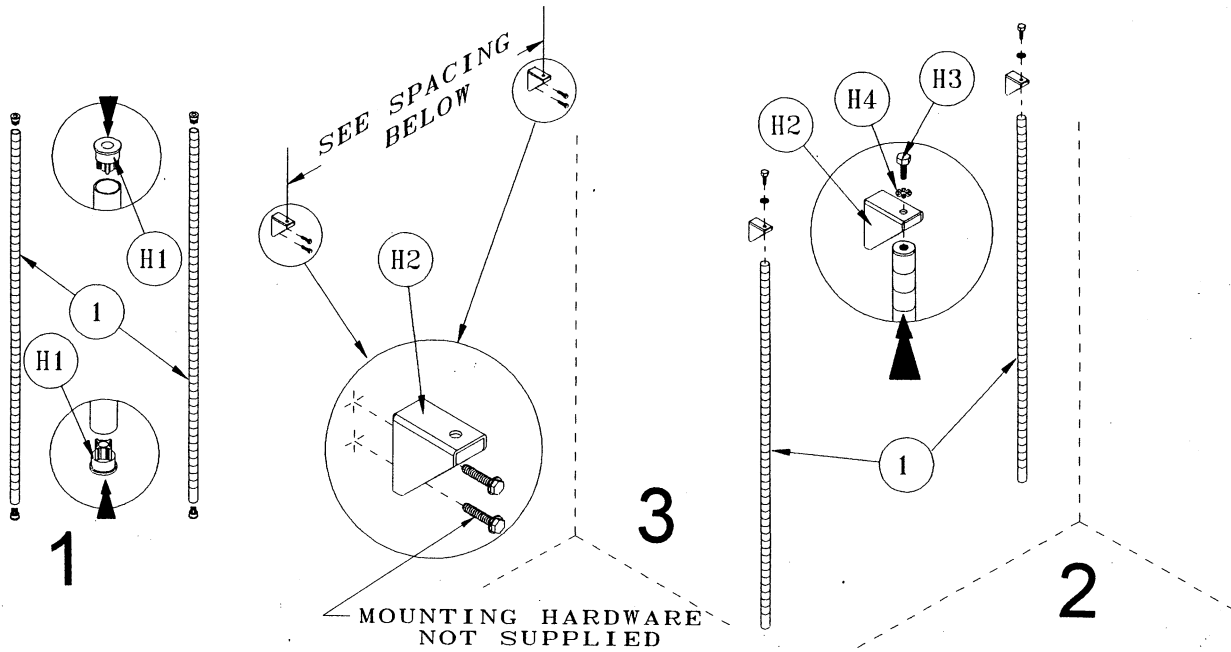




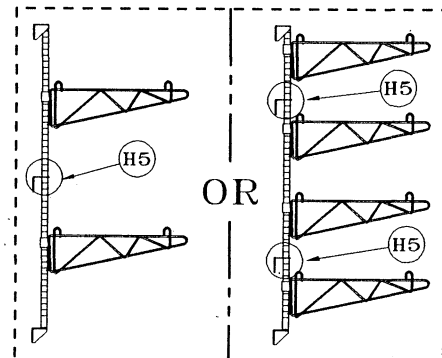
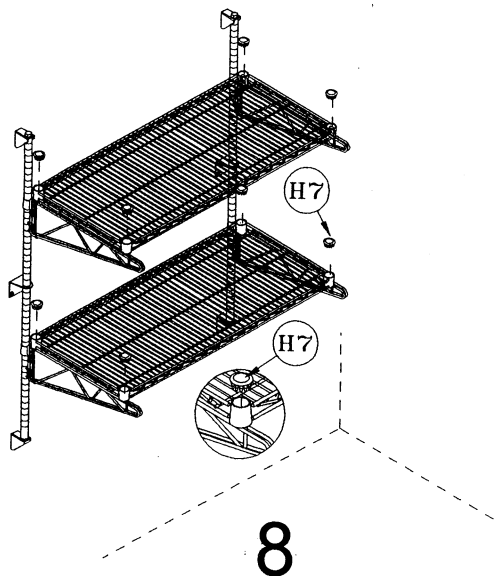
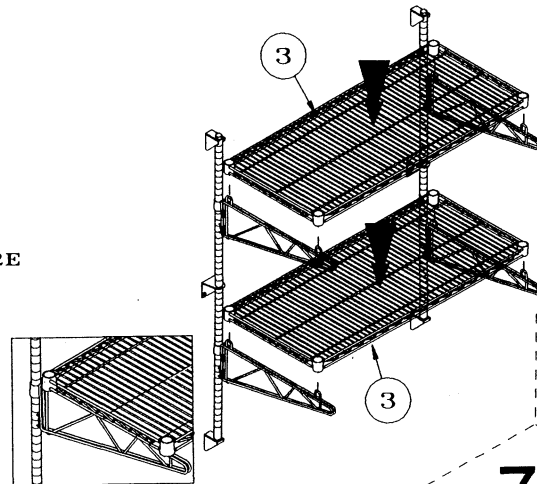
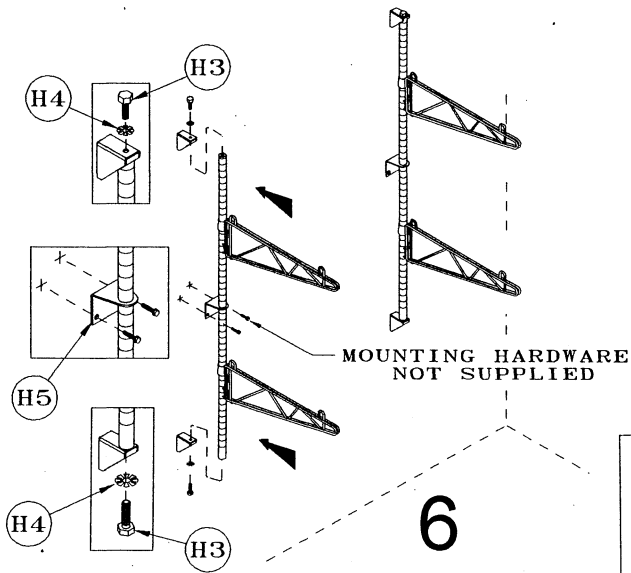
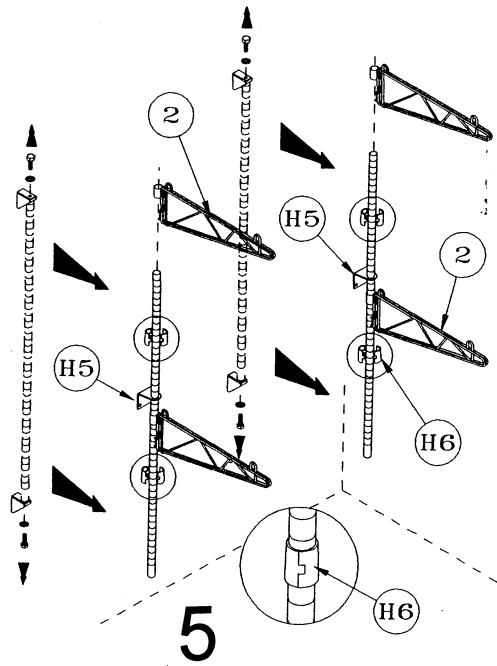
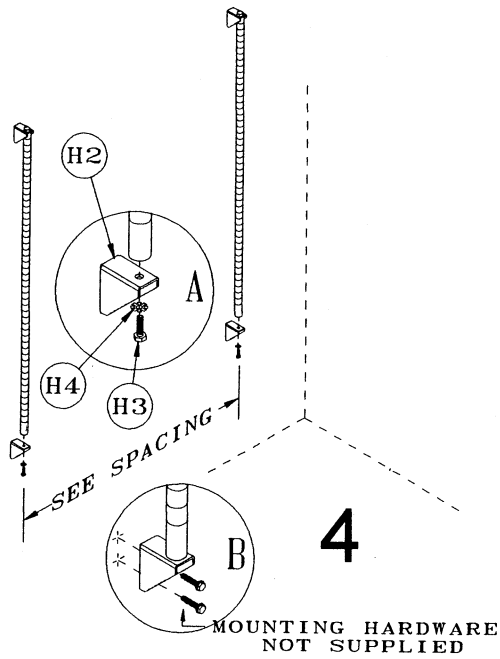
NEXEL CANTILEVER WALL POST ASSEMBLY INSTRUCTIONS CONTENTS

REF.	QTY.	DESCRIPTION	REF.	QTY.	DESCRIPTION	REF.	QTY.	DESCRIPTION
1	2	POST	H1	4		H5	2	
2	2	BRACKET	H2	4		H6	8	
3	2	SHELF	H3	4		H7	8	
			H4	4				



SHELF WIDTH	"X" SPACING	"Y" SPACING	"Z" SPACING
24"	22 13/32"	23 9/32"	24 5/32"
30"	28 13/32"	29 9/32"	30 5/32"
36"	34 13/32"	35 9/32"	36 5/32"
42"	40 13/32"	41 9/32"	42 5/32"
48"	46 13/32"	47 9/32"	48 5/32"
60"	58 13/32"	59 9/32"	60 5/32"
72"	70 13/32"	71 9/32"	72 5/32"





WARNING
 USE 2 BRACKETS (H5) FOR EACH 54" AND 63" POST