



Space-Trac Shelving System - #105

1-800-245-6682 | FAX: 1-516-625-0084 | E-mail: nexelinfo@nexelwire.com | www.nexelwire.com

Item No. _____

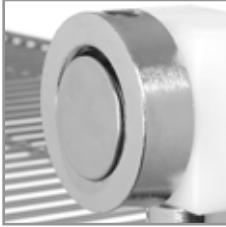
Job No. _____

HIGH DENSITY MOBILE STORAGE SYSTEM

Maximize Your Storage with Minimum Floor Space



LOCKING COLLAR



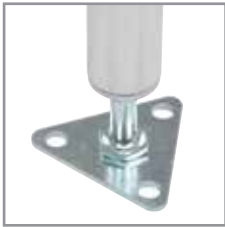
JOINING INSERT



RIGID CASTER: TIE BAR



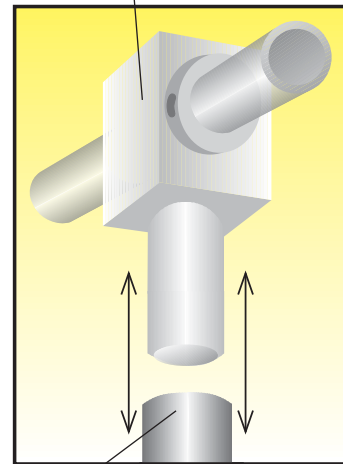
FOOT PLATE



Double your storage space capacity instantly with this economical mobile shelving system. Provides instant access to inventory and allows maximum air and light circulation. Space-Trac is designed to eliminate unnecessary aisles, free-up floor space and increase the number of shelving units that can be used in a designated area. This is done by combining stationary and mobile units, to create or eliminate aisles as needed. The stainless steel overhead track assures smooth shifting of units, eliminates dirt and debris build-up that usually occurs with floor mounted systems and compensates for uneven floors. Both stationary and mobile units are available with a variety of shelf sizes and finishes. Mobile units have 5" polyurethane wheel casters. Simple installation makes this system practical and easy to use.

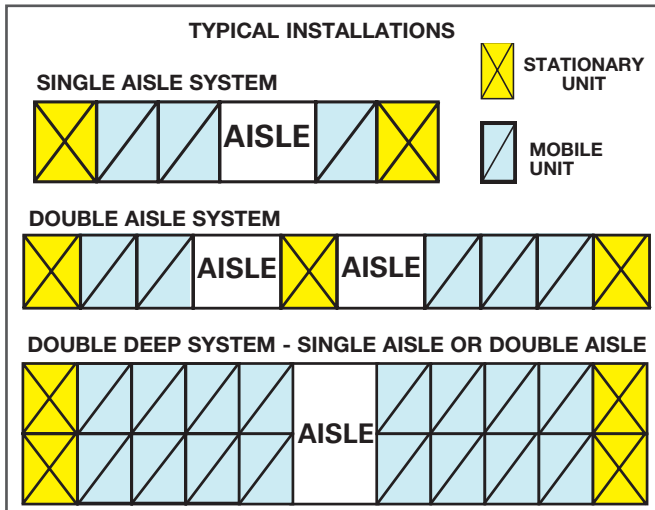
GUIDE BLOCK (allows for uneven floors)

LOCKING COLLAR



TRACK TUBE

POST



11 Harbor Park Drive
Port Washington, NY 11050 U.S.A



Space-Trac Shelving System - #105

1-800-245-6682 | FAX: 1-516-625-0084 | E-mail: nexelinfo@nexelwire.com | www.nexelwire.com

Item No. _____

Job No. _____

HOW TO ORDER: Simple to Install, Simple to Use

When choosing component parts, the following factors must be determined:

- 1 - The length of Space-Trac necessary.**
Combine the widths of necessary stationary and mobile units. Add a minimum of 30" for an aisle and 2" for every mobile unit to compensate for donut bumpers.
- 2 - All shelves must be same length.** Number and type of shelves can vary.
- 3 - Height of Unit.** When choosing post height, all units must be same overall height.

4 - Choose shelf finish. (see Nexel Catalog)

5 - When ordering a Space-Trac shelving unit, remember:

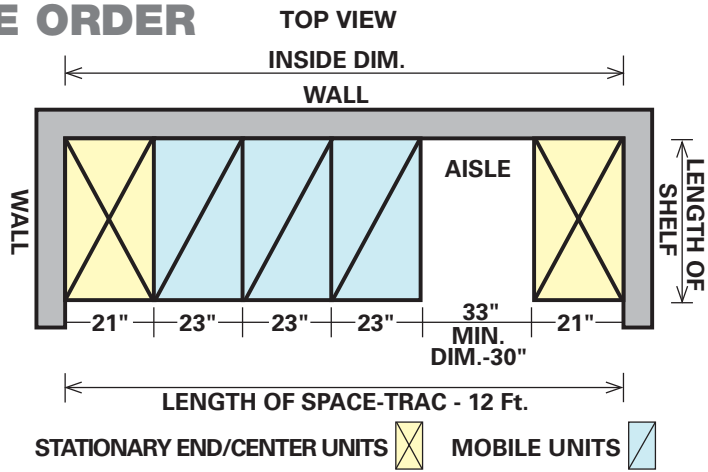
- A - Each Stationary Unit** requires 1 Stationary Unit Kit, 4 posts and shelves.
- B - Each Mobile Unit** requires 1 mobile Unit Kit and shelves.
- C - Space-Trac Guide Bars** (custom sized to a max. length of 12 ft.) for longer systems require one Joining Insert to connect each additional guide bar ordered.

You must order a guide bar for the front and back length of the system.

SAMPLE ORDER

What You Would Need To Order For Illustration Shown

- A - 2 - Stationary Units**
Consists of: (8) S2148C Shelves (4 per unit)
(2) STS88C Stationary Unit Kits(1 per unit)
- B - 3 - Mobile Units**
Consists of: (3) STM861C Mobile Unit Kits (1 per unit)
(12) S2148C Shelves (4 per unit)
- C - 24 Feet Space Trac Guide Bar**
Consists of: (2) ST1030CP12 Guide Bars



STATIONARY UNIT KIT Model No. STS1

Consists of the following parts:

- 4 Guide Blocks
- 4 Locking Collars
- 4 Foot Plates

MOBILE UNIT KIT - order shelves separately to match the width of mobile units.

Consists of the following parts:

- 4 Guide Blocks
- 4 Posts
- 4 Casters
- 2 Tie Bars

STATIONARY END/CENTER UNITS MOBILE UNITS

WIRE SHELVES - see Nexel Catalog

SOLID SHELVES - see Nexel Catalog

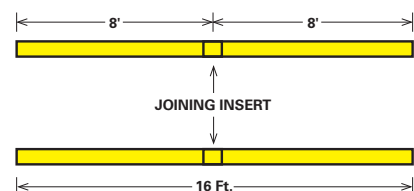
SPACE-TRAC GUIDE BAR - specify required length and order required joining inserts - see example of 16 ft. run.

Model No. **ST1030**

SPACE-TRAC GUIDE BAR END CAP -Model No. **ST1060**

JOINING INSERT Model No. ST1040

Maximum length of Space-Trac guide bar is 12 feet. If a longer length is required, you must order one joining insert for each length to be connected.



Example of a 16 ft. run

This requires four - 8' Space-Trac guide bars (#ST1030) and two - joining inserts (#ST1040) to create the desired 16 ft. run.

MOBILE UNIT KIT

Size"	SILVER EP SERIES Model	BLACK EP SERIES Model	*POLY-Z-BRITE Model	*POLY-GREEN Model	*NEXELON Model	CHROME Model	STAINLESS STEEL Model	Weight Lbs.
STATIONARY UNIT								
76"	STS76EP	STS76B	STS76Z	STS76G	STS76N	STS76C	STS76S	28.0
88"	STS88EP	STS88B	STS88Z	STS88G	STS88N	STS88C	STS88S	30.0
MOBILE UNIT								
14 x 76	STM147EP	STM147B	STM147Z	STM147G	STM147N	STM147C	---	34.0
14 x 88	STM148EP	STM148B	STM148Z	STM148G	STM148N	STM148C	---	31.0
18 x 76	STM748EP	STM748B	STM748Z	STM748G	STM748N	STM748C	STM748S	35.0
18 x 88	STM868EP	STM868B	STM868Z	STM868G	STM868N	STM868C	STM868S	32.0
21 x 76	STM741EP	STM741B	STM741Z	STM741G	STM741N	STM741C	---	36.0
21 x 88	STM861EP	STM861B	STM861Z	STM861G	STM861N	STM861C	---	---
24 x 76	STM744EP	STM744B	STM744Z	STM744G	STM744N	STM744C	STM744S	4.0
24 x 88	STM864EP	STM864B	STM864Z	STM864G	STM864N	STM864C	STM864S	5.0