

# NEXEL CANTILEVER SHELF

## INSTALLATION INSTRUCTIONS

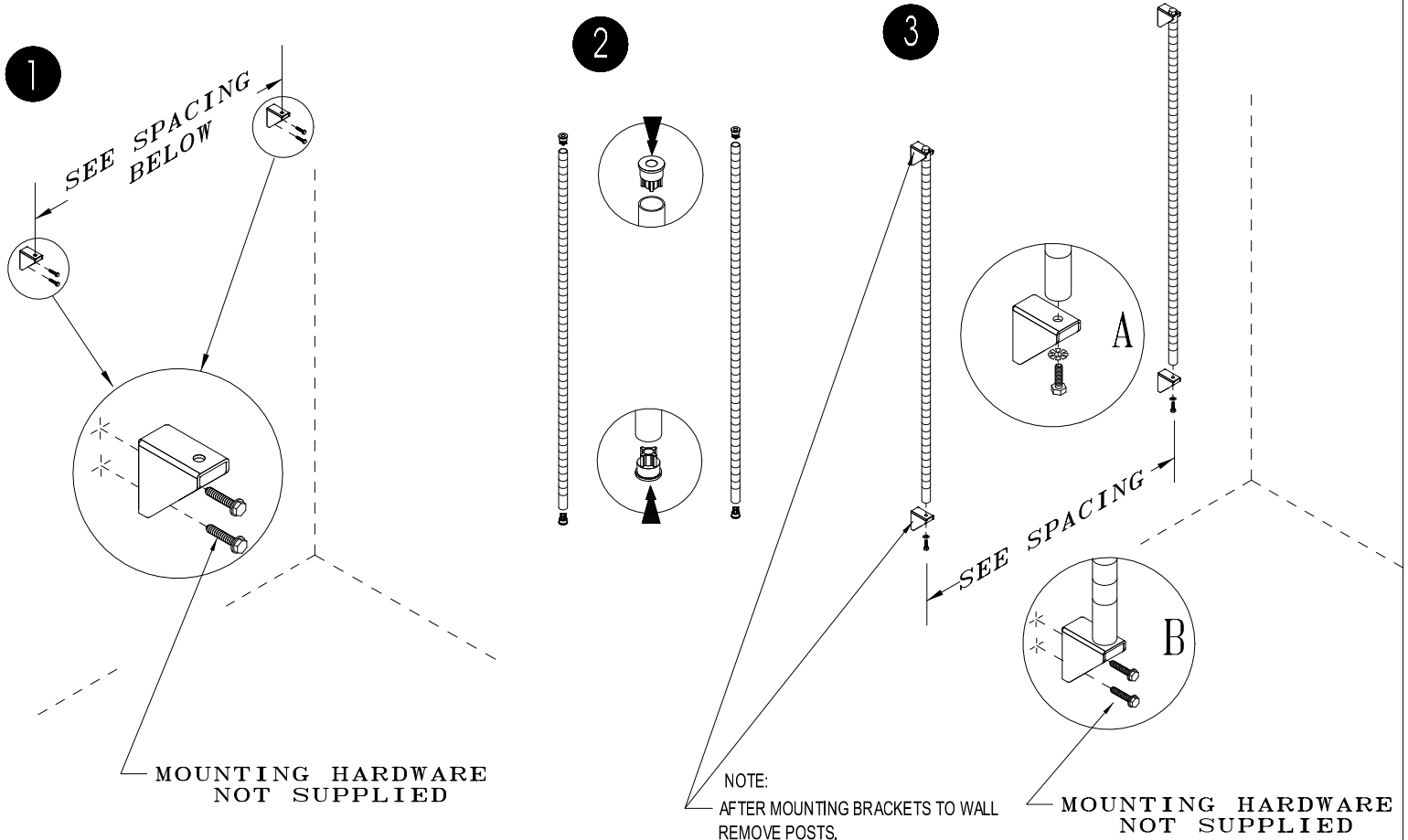
### CAUTION

It is the responsibility of the user to determine the suitability of the wall mounting surface, and the required hardware to adequately support the loaded shelf.

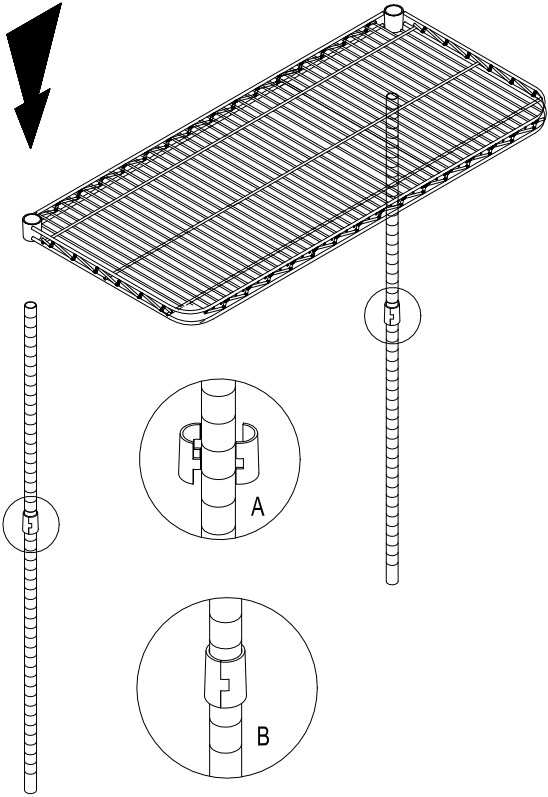
Nexel assumes no liability for damage resulting from the improper mounting of the Brackets. Carefully confirm strenght of mounting before placing objects on the Shelf.

1. Determine height and position of the Shelf, and mark location of the mounting Brackets using the chart and diagram below. Make certain that the Brackets are positioned horizontally level when Marking.

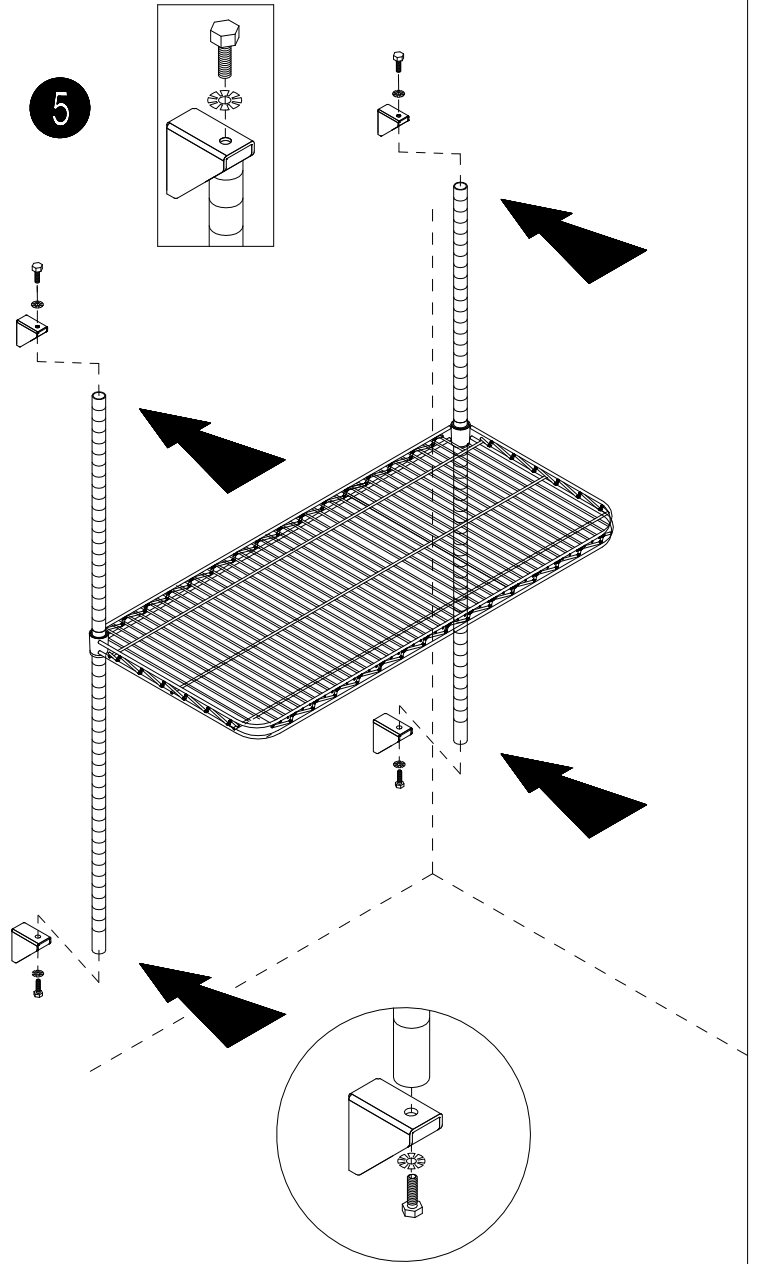
SHELF WIDTH	24"	30"	36"	42"	48"	60"	72"
"X" SPACING	22 7/16"	28 7/16"	34 7/16"	40 7/16"	46 7/16"	58 7/16"	70 7/16"



4



5



6

