

CONTENTS

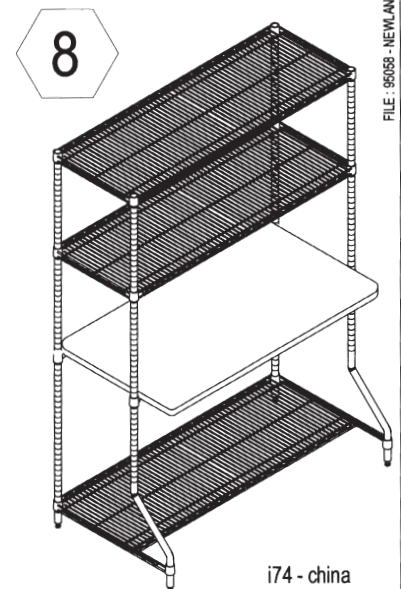
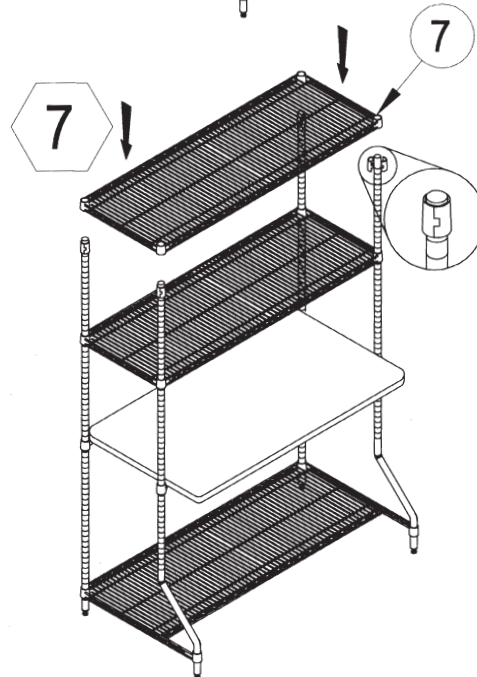
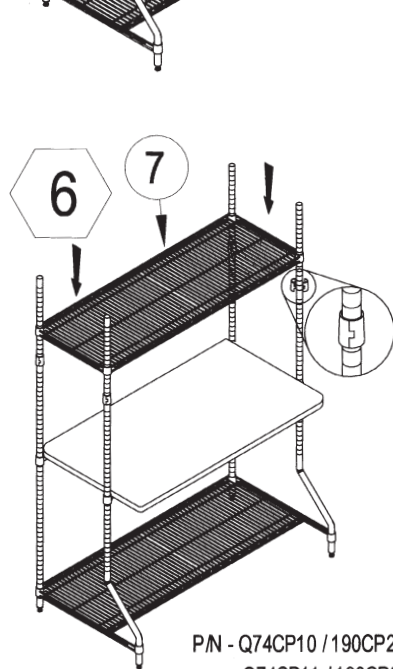
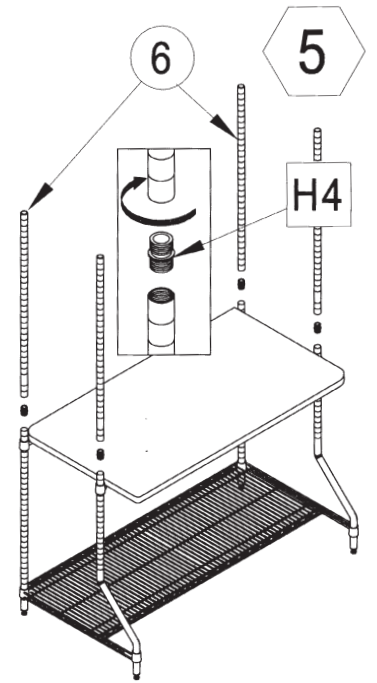
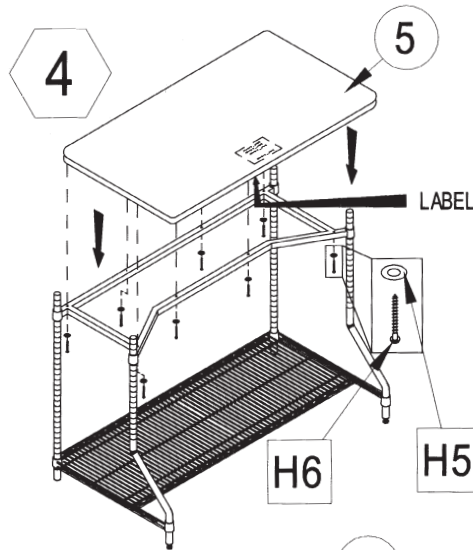
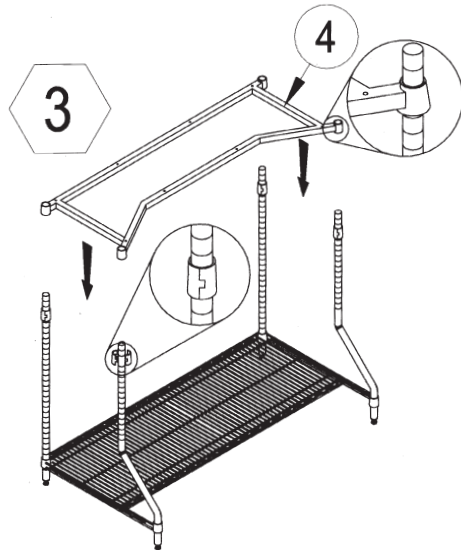
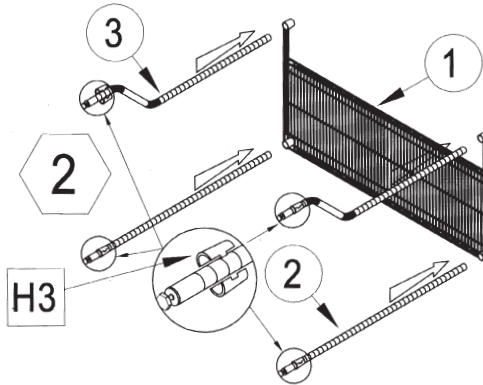
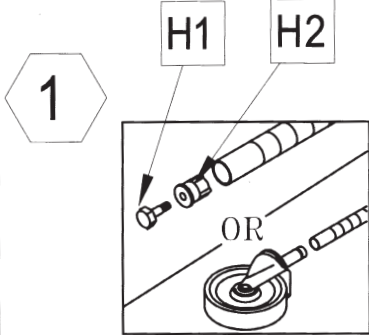
REF.	QTY.	DESCRIPTION
1	1	----- BOTTOM SHELF
2	2	----- LOWER POST
3	2	----- LOWER FRONT POST
4	1	----- SUPPORT FRAME
5	1	----- TOP (WORK SURFACE)
6	4	----- UPPER POST
7	2	----- SHELF



**60"/72" WIRE LAN WORKSTATION
ASSEMBLY INSTRUCTIONS**

CONTENTS

REF.	QTY.	DESCRIPTION
H1	4	-----
H2	4	-----
H3	32	-----
H4	4	-----
H5	8	-----
H6	8	-----



P/N - Q74CP10 / 190CP286
Q74CP11 / 190CP287

i74 - china