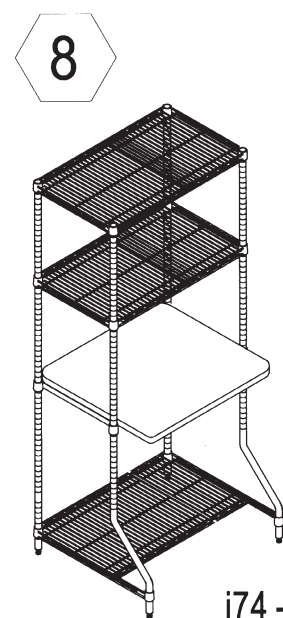
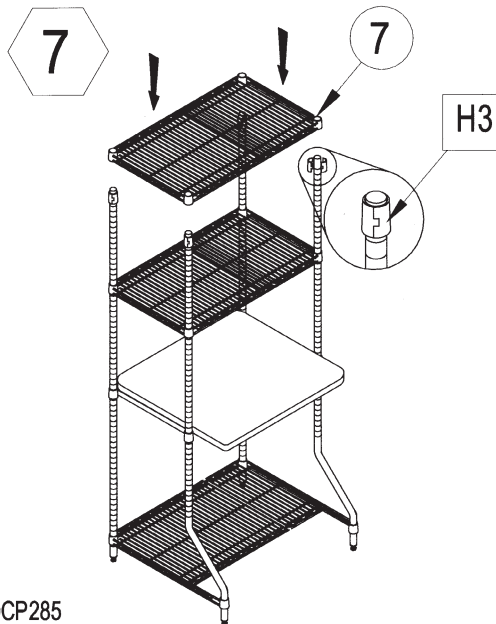
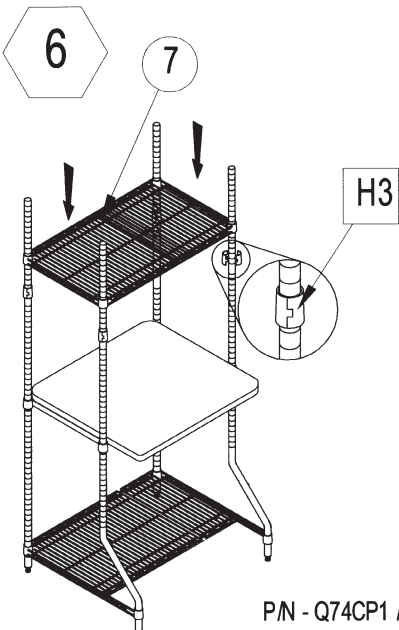
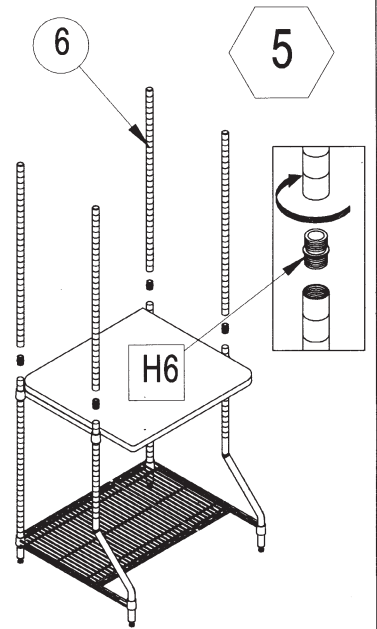
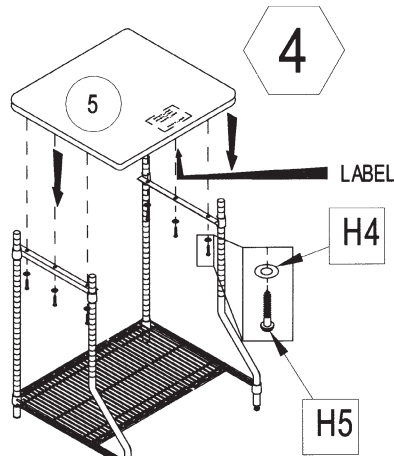
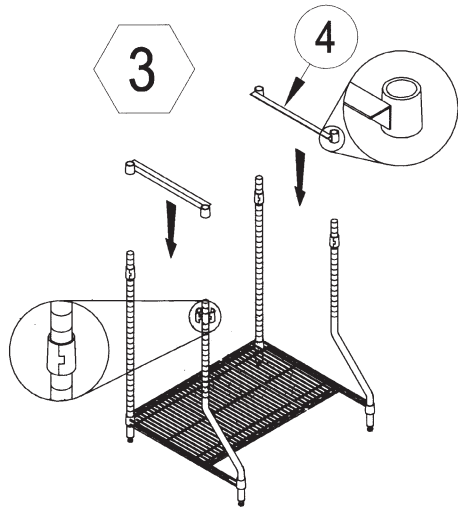
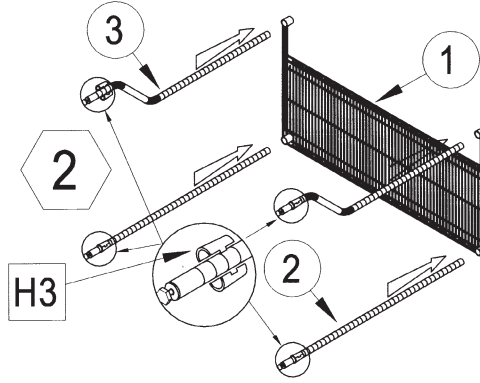
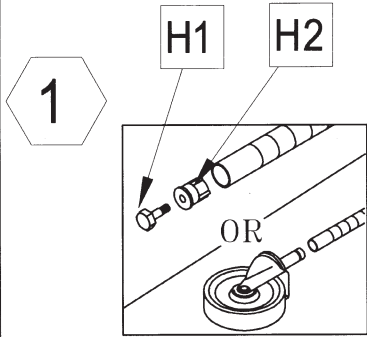


CONTENTS		
REF.	QTY.	DESCRIPTION
1	1	--- BOTTOM SHELF
2	2	--- LOWER POST
3	2	--- LOWER FRONT POST
4	2	--- SUPPORT FRAME
5	1	--- TOP (WORK SURFACE)
6	4	--- UPPER POST
7	2	--- SHELF



## 30" WIRE LAN WORKSTATION ASSEMBLY INSTRUCTIONS

CONTENTS		
REF.	QTY.	DESCRIPTION
H1	4	
H2	4	
H3	32	
H4	4	
H5	6	
H6	6	



P/N - Q74CP1 / 190CP285

i74 - china