



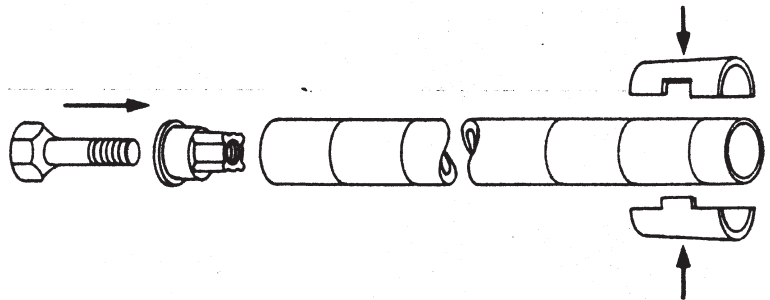
## MODEL 188CP38 WIRE SHELF WORKBENCH

### CONTENTS

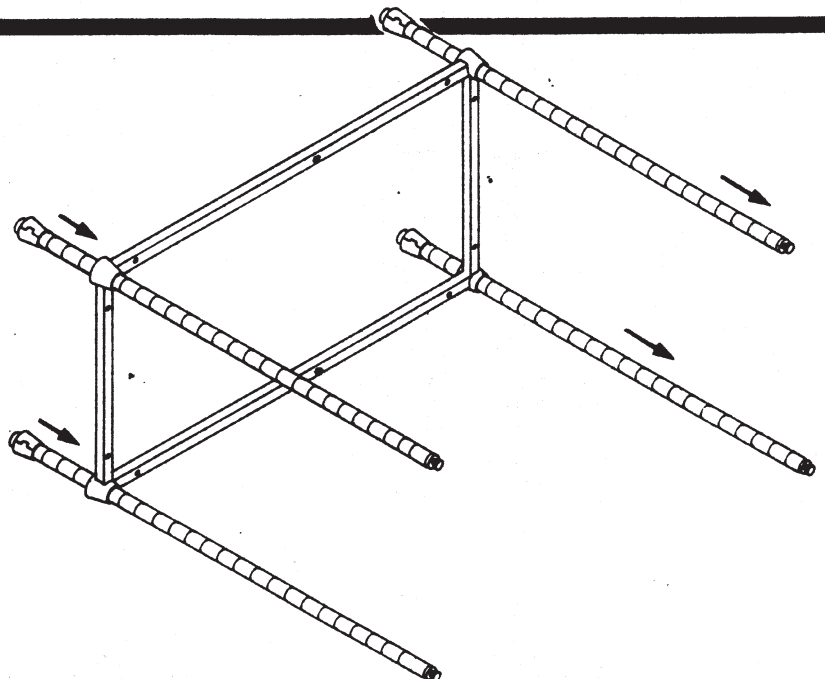
<u>Qty</u>	<u>Description</u>
4	32" Posts
4	Threaded Post Inserts
4	Adjustable Foot Glides
16	Plastic Shelf Supports
1	24" x 48" Mounting Frame
2	24" x 48" Wire Shelves
6	# 12 x 2 1/2" Screws

### INSTRUCTIONS

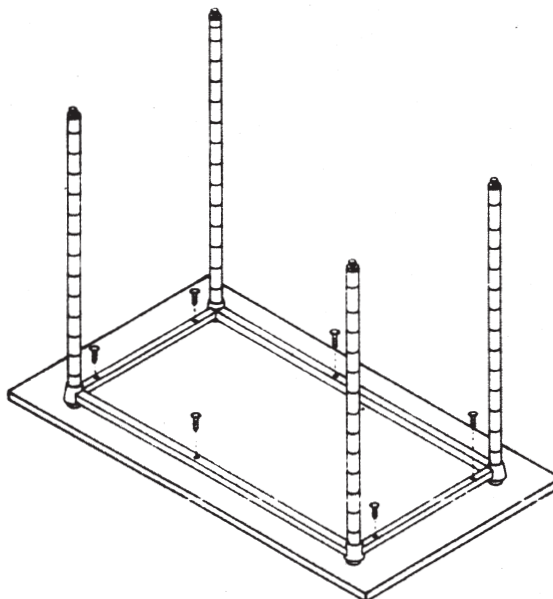
1. Insert (1) Threaded Insert and (1) Adjustable Foot Glide into bottom of each 32" long Post.
2. Snap a pair of Plastic Shelf Supports onto highest position of each Post.



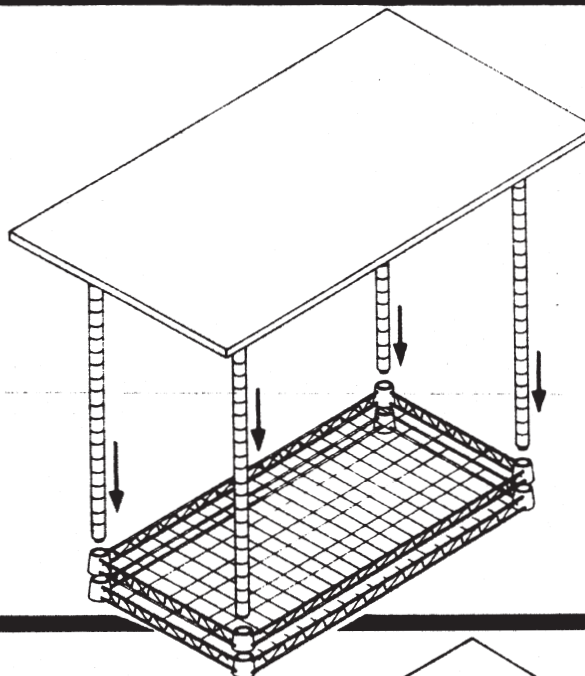
3. Slip Posts into collars of Frame (bottom first) making certain that Shelf Supports are fully seated in the collars.



4. Place Table Top face down on a protected surface, and center Mounting Frame into position.
5. Mark and carefully drill (6) 1/8" diameter x 3/4" deep pilot holes in underside of Table Top. (Drill 3/16" diameter x 3/4" deep holes for MAPLE tops).
6. Affix Frame to Table Top with (6) # 12 x 2 1/2" Screws. (We suggest you place wax, soap or silicone on the screw threads before screwing into the Top).



7. Stack (2) 24" x 48" Wire Shelves on top of each other, then stand table upright by placing table legs into shelf collars.



8. Raise top shelf to a midway position and snap a pair of Plastic Shelf Supports onto each Post.
9. Lower Shelf onto Plastic Shelf Supports. Tap with a rubber mallet to fully seat shelf collars over Shelf Supports.
10. Repeat for bottom shelf.

