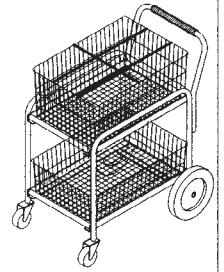
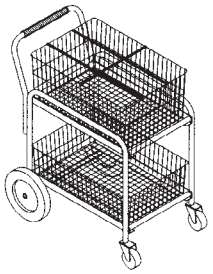




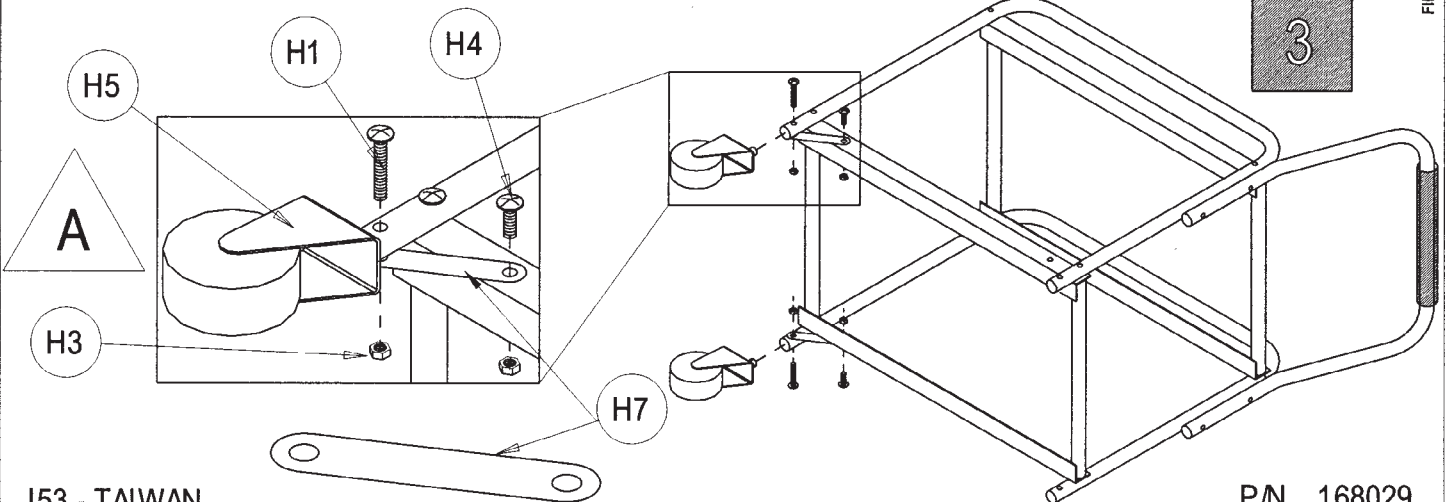
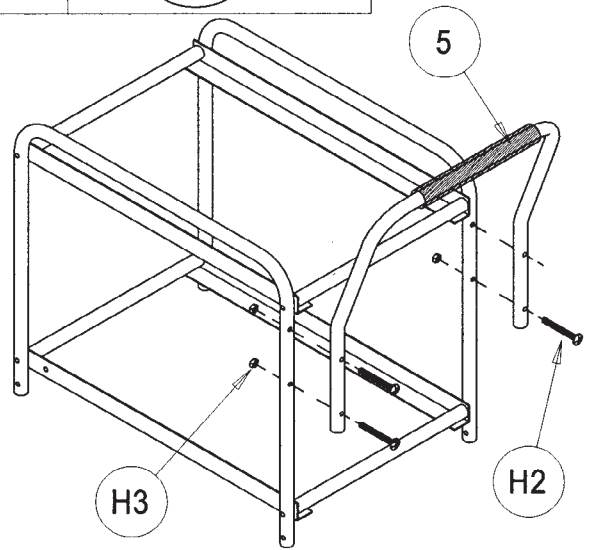
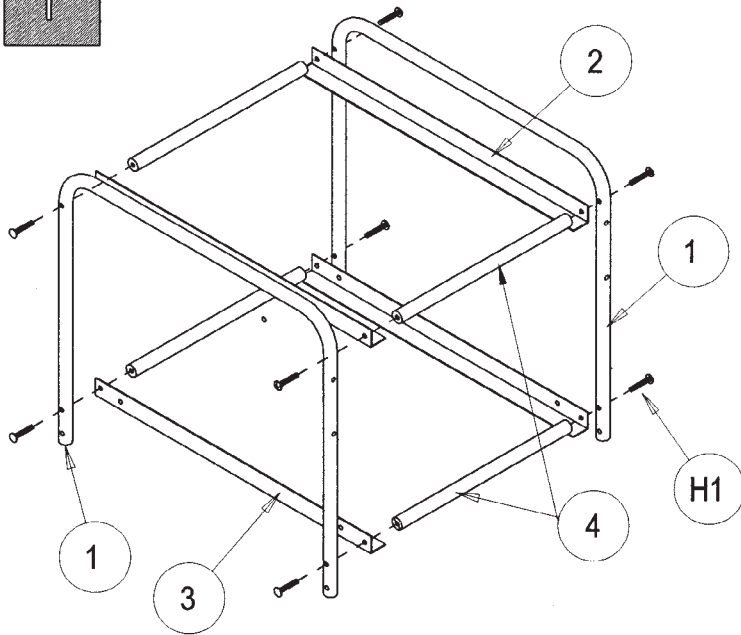
STANDARD MAIL CART

ASSEMBLY INSTRUCTION

CONTENTS



REF.	QTY.	DESCRIPTION	REF.	QTY.	DESCRIPTION
1	2	LEG	H1	12	
2	2	UPPER SUPPORT CHANNEL	H2	4	
3	2	LOWER SUPPORT CHANNEL	H3	12	
4	4	CROSS BAR SUPPORT	H4	4	
5	1	HANDLE BAR	H5	2	
6	1	AXLE ROD	H6	2	
7	1	UPPER BASKET	H7	4	
8	1	LOWER BASKET	H8	2	
9	2	WIRE DIVIDER	H9	2	
10	1	WIRE DIVIDER			

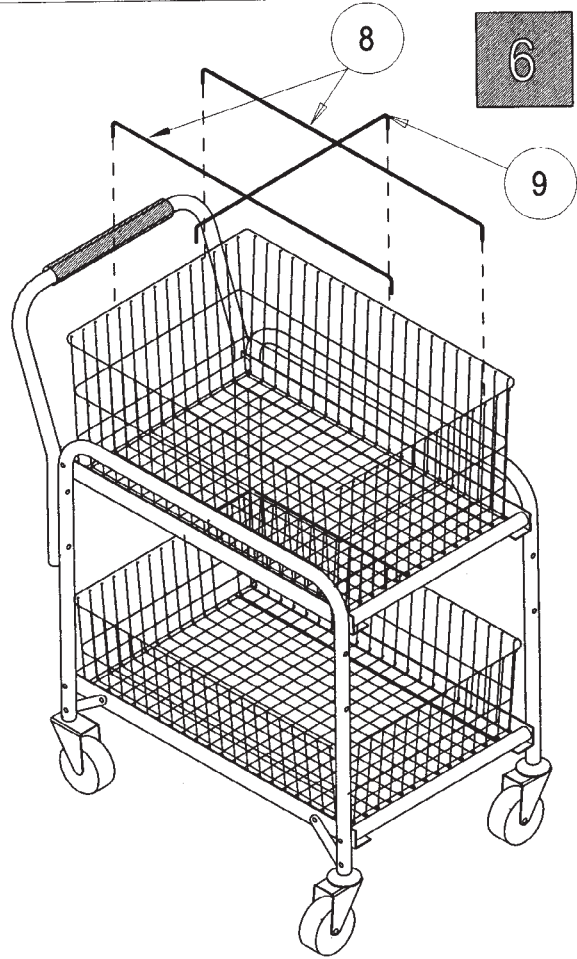


FILE: MAILCART

4



6



6

