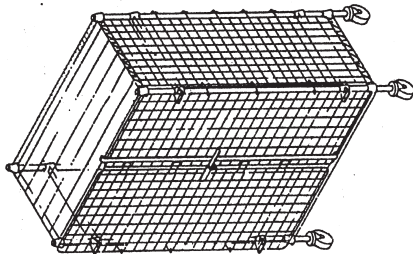




WIRE SECURITY TRUCK

Instructions



Model A (Stationary)		Model B (Mobile Unit w/ Stem Casters)	Model C (Mobile Truck w/ Dolly Base)
Part #	Description		
1	Threaded Insert	✓	✓
2	Adjustable Foot Glide	✓	✓
3	Posts	✓	✓
4	Donut Bumper	✓	✓
5	Stem Casters	✓	✓
6	Wire Shelf	✓	✓
7	Dolly Base Unit		✓
8	Flat Mount Casters		✓
9	Door Support Bars		✓
10	Left Side Panel	D	✓
11	Right Side Panel	✓	✓
12	Back Panel Assembly	✓	✓
13	Left Door	✓	✓
14	Right Door	✓	✓
15	Threaded Fillings	✓	✓
16	Washer	✓	✓
17	Allen Head Screw	✓	✓
18	Allen Wrench	✓	✓

Notes: * = Some Models include 3 Shelves rather than 2.
D = Included on Door versions only.

These Instructions are for assembling the following models of the Wire Security Truck:

- Model A - Stationary Unit
- Model B - Mobile Unit with Stem Casters
- Model C - Mobile Truck with Dolly Base

Determine the model you've ordered, and follow the appropriate instructions.

NOTE: In order to minimize shipping damage and freight costs, this product is shipped to you in several different cartons. It is suggested that you open all cartons and identify all parts with the contents table above before you begin assembly.

- MODEL A**

A) Insert Threaded Insert into bottom end of each Post. (Seat securely by tapping Post onto the floor.)

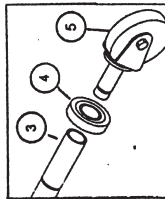
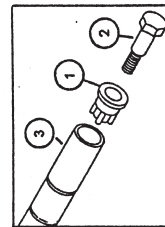
B) Screw adjustable Foot Glide into Threaded Insert.
- MODEL B**

A) Slide Rubber Donut Bumper over bottom end of Post.

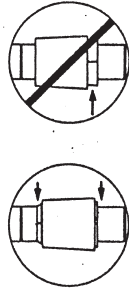
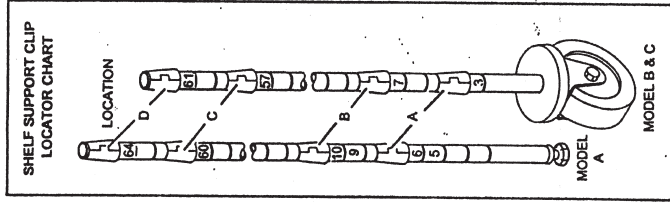
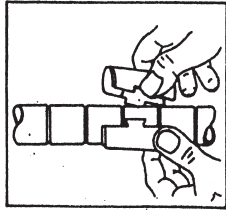
B) Push Stem Caster into Post.

C) Repeat for remaining 3 Posts.
- MODEL C**

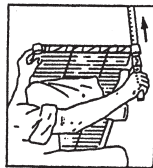
Insert Threaded Insert into bottom end of each Post. (Seat securely by tapping Post onto the floor.)



2. Snap a pair of plastic Shelf Support Clips onto each Post at location "A". (Refer to Shelf Support Clip Locator Chart.)



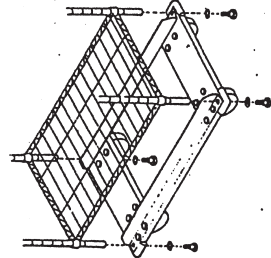
3. Insert 4 Posts into Collars of lower Shelf.



4. MODEL A and B Stand unit upright and fully seat Shelf onto Support Clips by tapping Shelf with a rubber mallet.

- MODEL C Stand unit upright and attach to the Dolly Base unit with screws provided with the Base unit. (Pre-attach Casters to Dolly Bases before attaching to Posts.)

- B) Fully seat Shelf onto Support Clips by tapping Shelf with a rubber mallet.



5. If your model does not include Doors, then continue to step #6. If your model includes doors...

A) Snap a pair of Shelf Support Clips onto each Post at location "B".

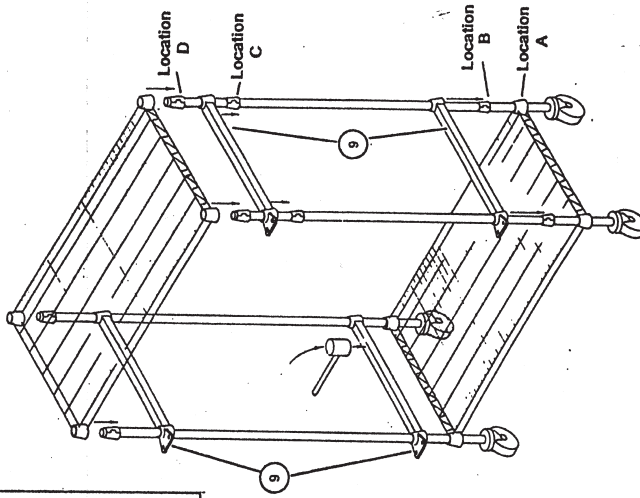
B) Slide a Door Support Bar over the Posts. (Seat securely with a rubber mallet.)

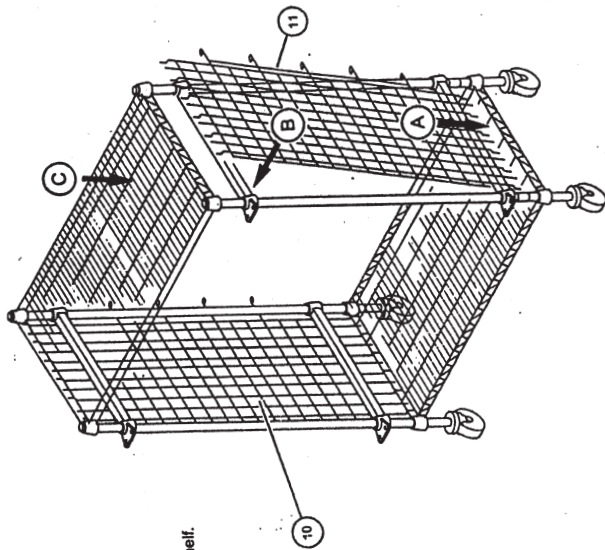
6. A) If your model includes a middle Shelf, or if you've ordered additional optional shelves, snap a pair of Shelf Support Clips at the desired height, and lower Shelf onto Support Clips.

B) Repeat for all intermediate shelves.
7. If your model does not include Doors, continue with step #8. If your model includes Doors...

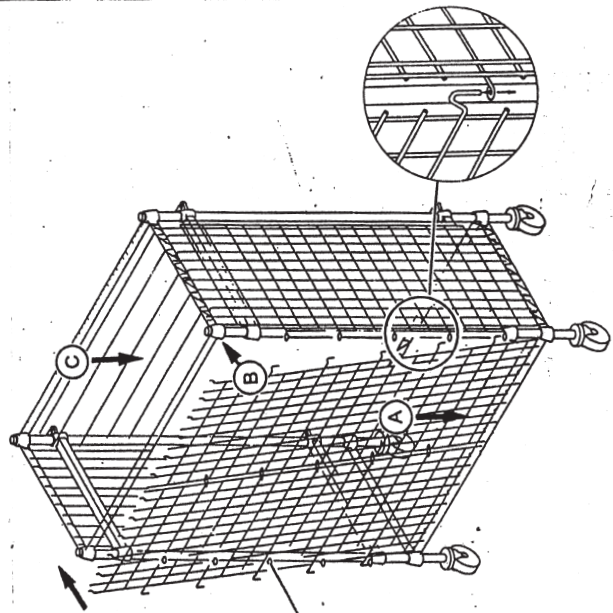
A) Snap a pair of Shelf Support Clips onto each Post at location "C".

B) Slide a Door Support Bar over the Posts. (Seat securely with a rubber mallet.)
8. Snap a pair of Shelf Support Clips onto each Post at location "D", and lower shelf onto Clips. (Do not fully seat yet.)



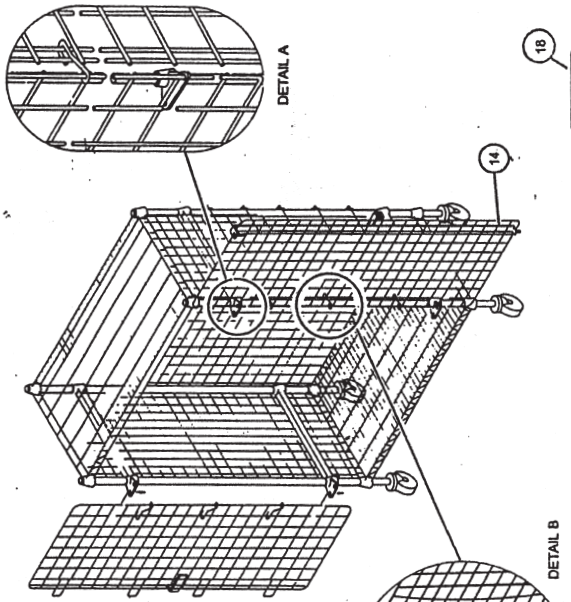


9. Attach Left and Right Side Panels to the unit by:
- a) inserting into bottom shelf
 - b) swinging up against Post
 - c) capturing top of Side Panel with Top Shelf.

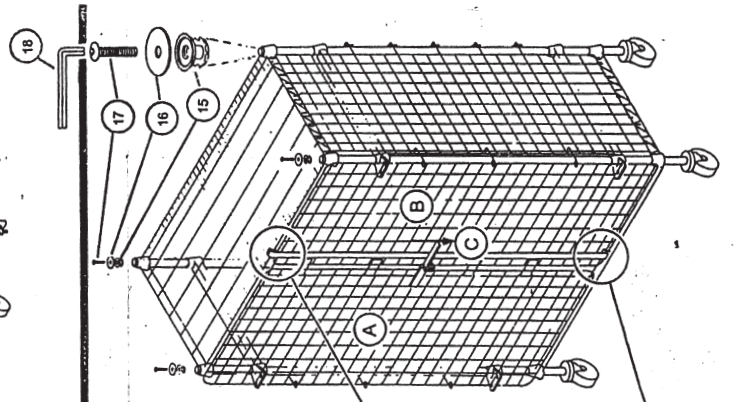


10. Install the Back Panel Assembly in a similar fashion, making certain that the Hooks are engaged in the Side Panel Loops. (See detail.)

11. Fully seat the Top Shelf with a rubber mallet.



12. If your model includes Doors...
- A) Hook left and right Doors onto Door Support Bars (See detail A)
 - B) Link Doors to Side Panels by swinging Door into open position, slightly deflecting the Door and hooking the wire hook into the side panel. (See detail B).



- 13.
- A) Check Door and latch pin operation by first closing the left door (A), then the right door (B), and sliding the latch Bar down (C). The Top and bottom Latch Pins should pass between the wires on the top and bottom shelves, preventing the Doors from opening. (See details).
 - B) Remove black End Cap from the top of each Post.
 - C) Install threaded fitting into top of each Post. (Fully seat with rubber mallet.)
 - D) Place washer on top of fitting and secure in place with a Hex Head Screw.